

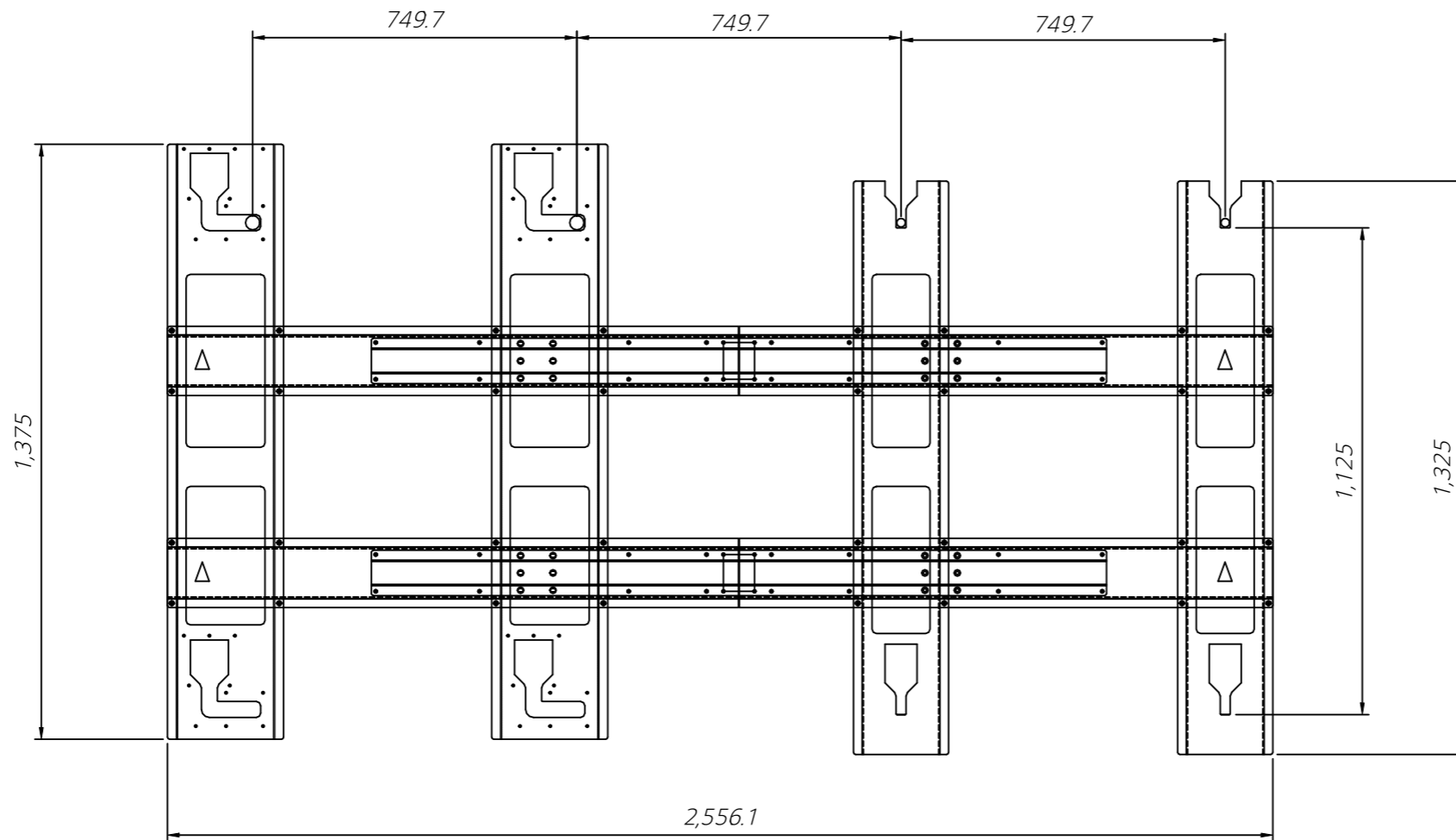


PROJECT TITLE

LED Screen

NOTE

- 1. This drawing is only for reference.
- 2. Specifications subject to change without notice.



△		
△		
△		
△		
△		
△		
△		
△		
△		
△		

REVISIONS DATE

DRAWN BY LGE

DESIGNED BY LGE

CHECKED BY

APPROVED BY

DRAWING TITLE
MOUNTING PLATE
LAEB015-GN Stand

MATERIAL

SCALE 1 / 15

DATE 2020. 05. 28.

SHEET NO. 101 REV. A

AK(400x207mm 2up)

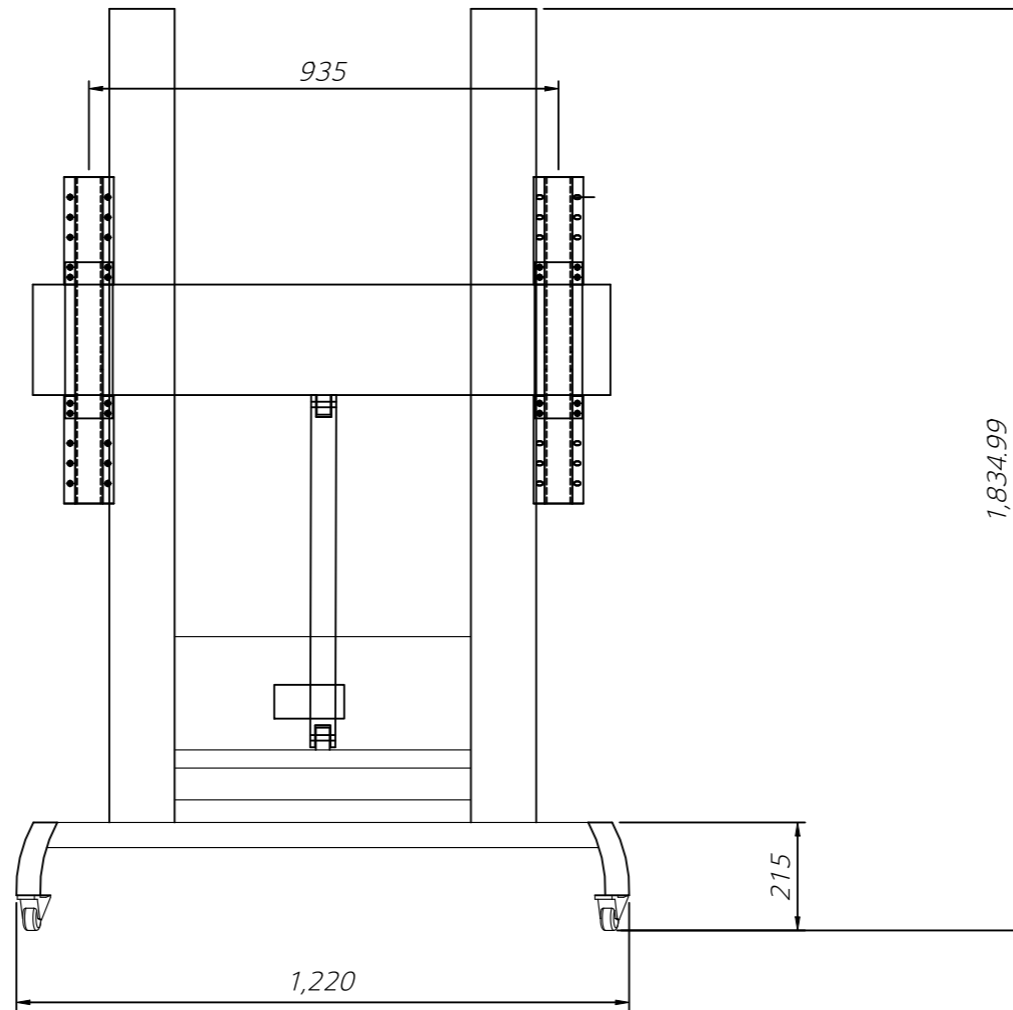


PROJECT TITLE

LED Screen

NOTE

- 1. This drawing is only for reference.
- 2. Specifications subject to change without notice.



△		
△		
△		
△		
△		
△		
△		
△		
△		
△		

REVISIONS DATE

DRAWN BY LGE

DESIGNED BY LGE

CHECKED BY

APPROVED BY

DRAWING TITLE
Frame
LAEB015-GN Stand

MATERIAL

SCALE 1 / 15

DATE 2020. 05. 28.

SHEET NO. 102 REV. A

A3(420x297mm 1/24)



PROJECT TITLE

LED Screen

NOTE

- 1. This drawing is only for reference.
- 2. Specifications subject to change without notice.

△		
△		
△		
△		
△		
△		
△		
△		
△		
△		

REVISIONS DATE

DRAWN BY LGE

DESIGNED BY LGE

CHECKED BY

APPROVED BY

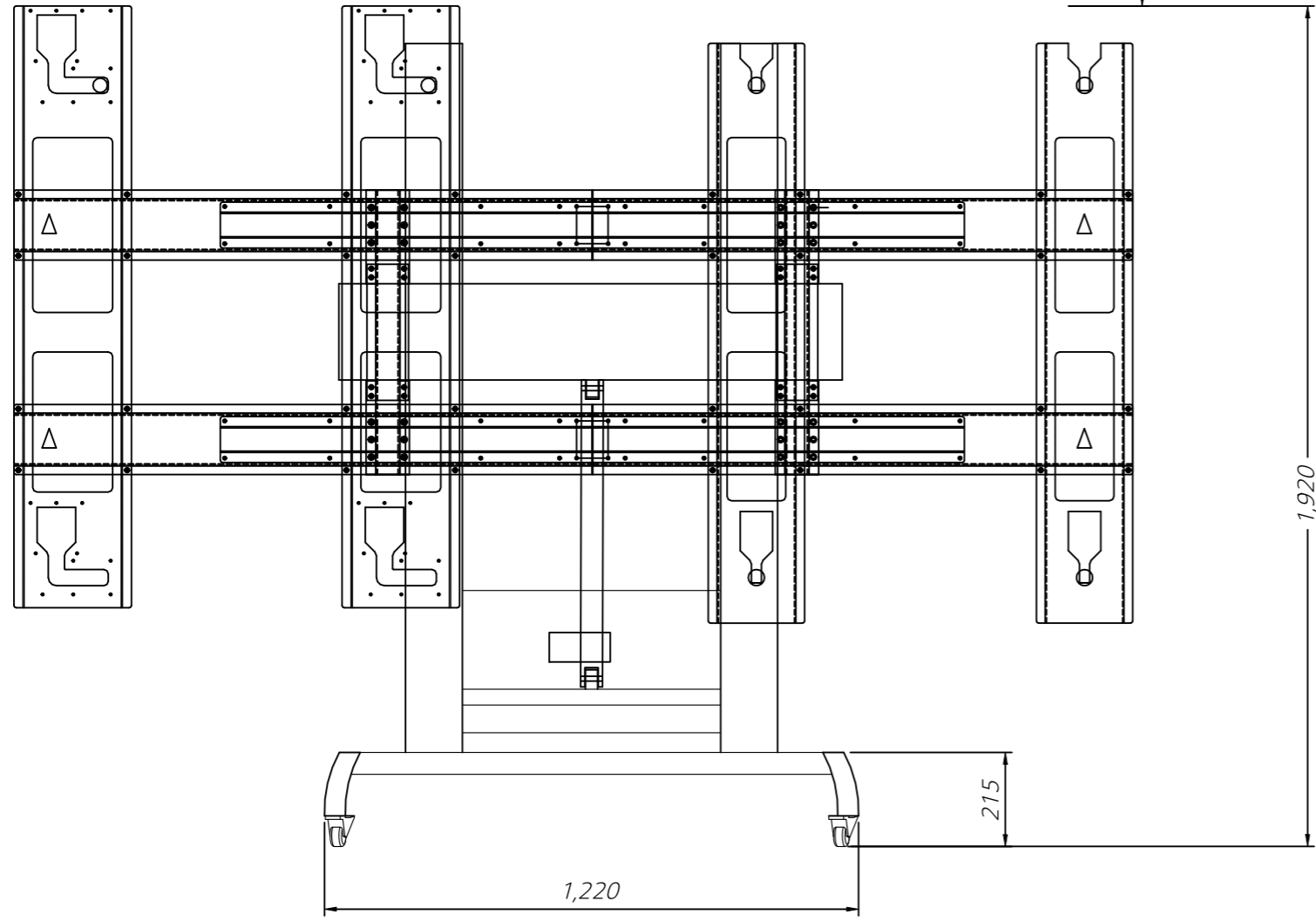
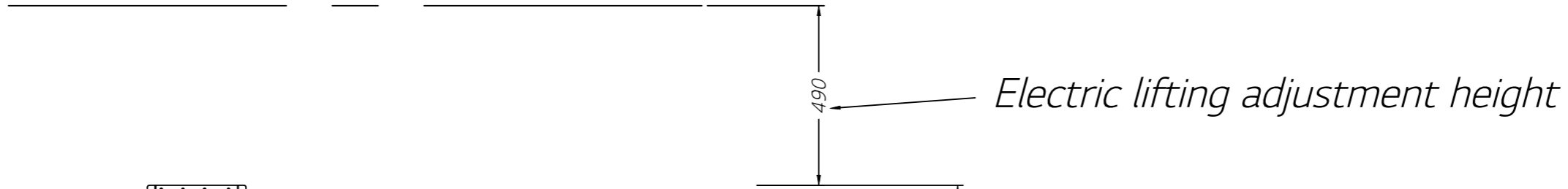
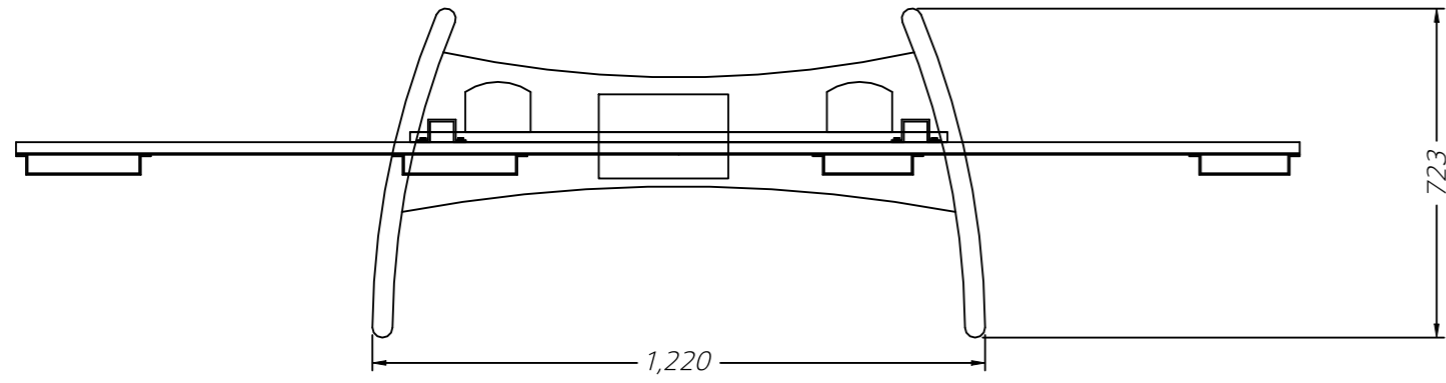
DRAWING TITLE
Electric lifting Assemble
LAEB015-GN Stand

MATERIAL

SCALE 1 / 15

DATE 2020. 05. 28.

SHEET NO. 103 REV. A





PROJECT TITLE

LED Screen

NOTE

- 1. This drawing is only for reference.
- 2. Specifications subject to change without notice.

△		
△		
△		
△		
△		
△		
△		
△		
△		

REVISIONS DATE

DRAWN BY LGE

DESIGNED BY LGE

CHECKED BY

APPROVED BY

DRAWING TITLE
Electric lifting outlook
LAEB015-GN Stand

MATERIAL

SCALE 1 / 15

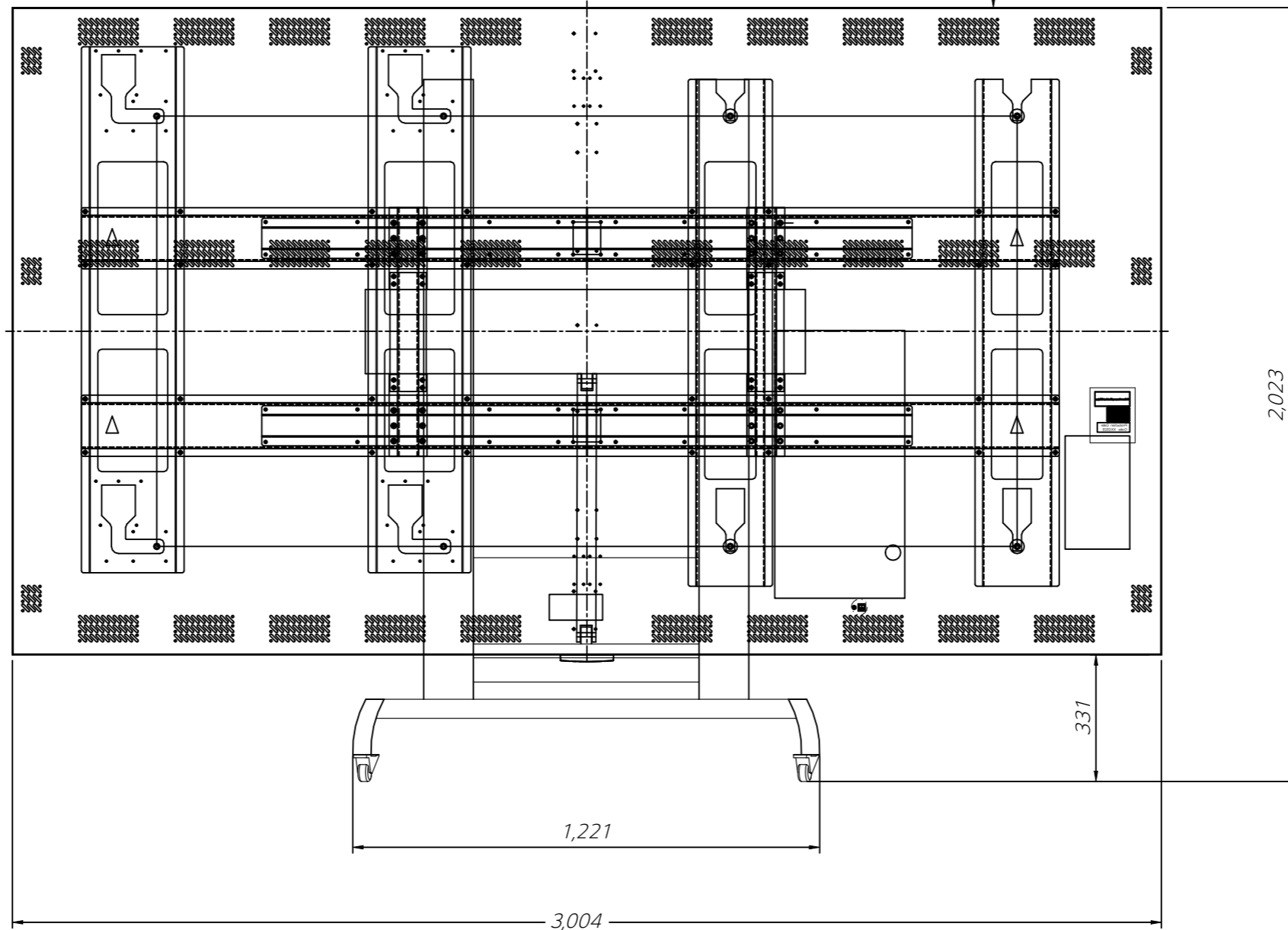
DATE 2020. 05. 28.

SHEET NO. 104 REV. A

Electric lifting adjustment height



490



AS(400x297mm 2/3rd)